

LOC	DIST	REVISIONS			
P	LTR	DESCRIPTION	DATE	DWN	APVD
C		REVISED PER PCN E-19-014633	24APR2019	NS	RM
C1		REVISED PER PCN-23-187402	19SEP2023	OD	IG
D		REVISED PER PCN-23-192205	06FEB2024	RK	CB
D1		REVISED PER PCN-24-210159	22MAY2024	PS	CB

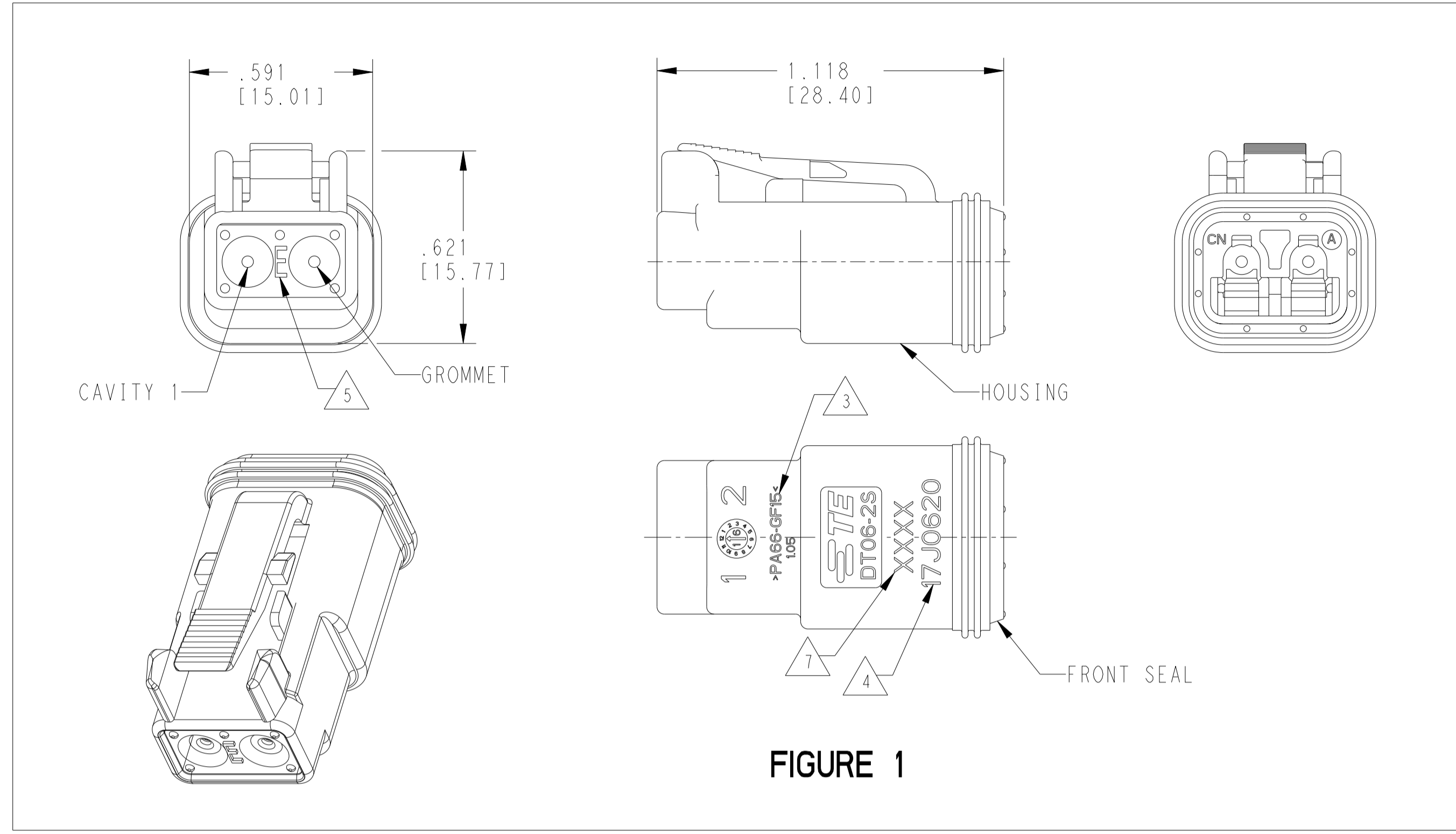


FIGURE 1

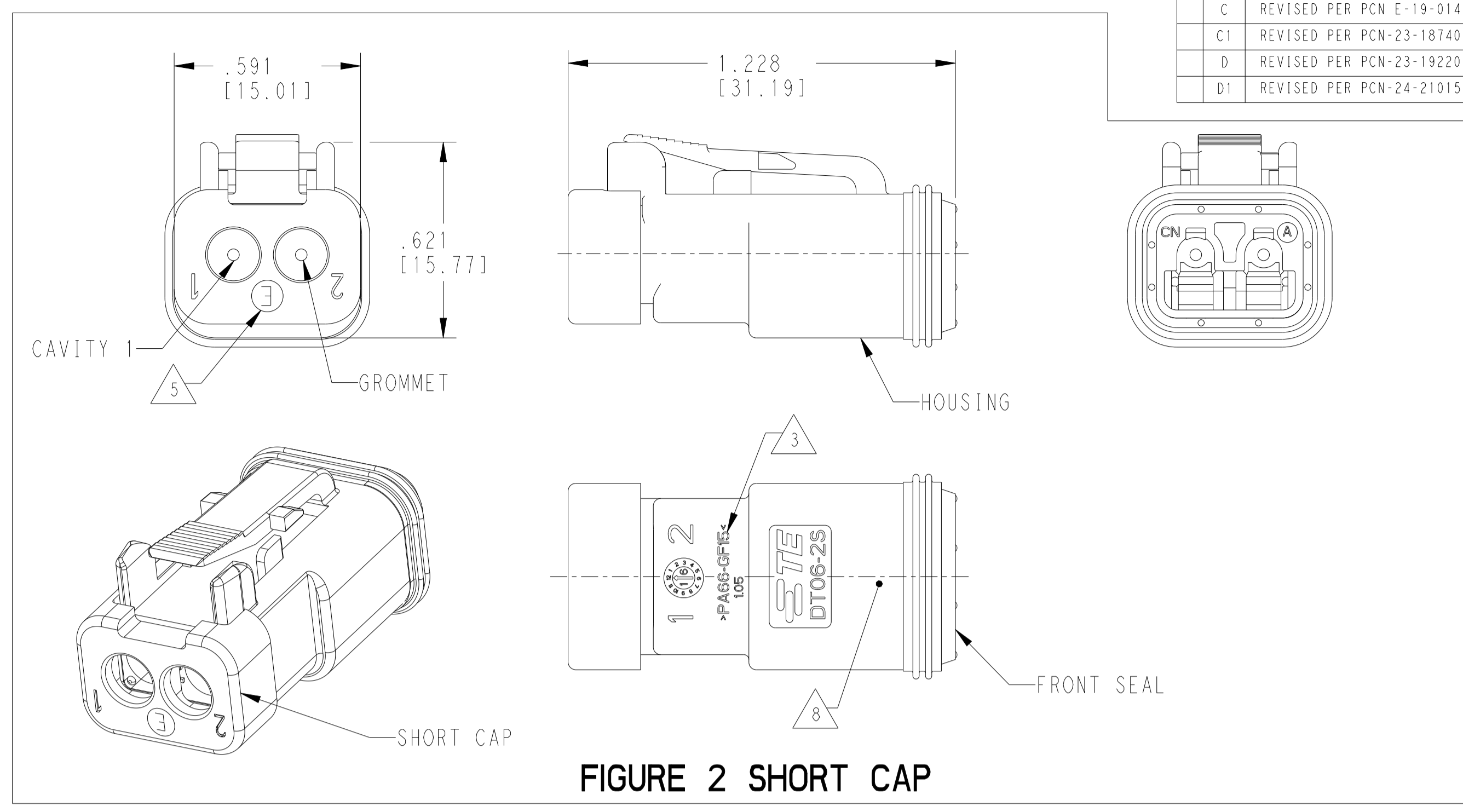


FIGURE 2 SHORT CAP

CONTACT SIZE	WIRE RANGE	INSULATION OD SEALING RANGE	SEAL IDENTIFICATION
16	14-20 AWG [2.5-0.5mm ²]	.088-.145 [2.23-3.68]	STANDARD SEAL
		.053-.120 [1.35-3.05]	EXTRA THIN SEAL E-SEAL

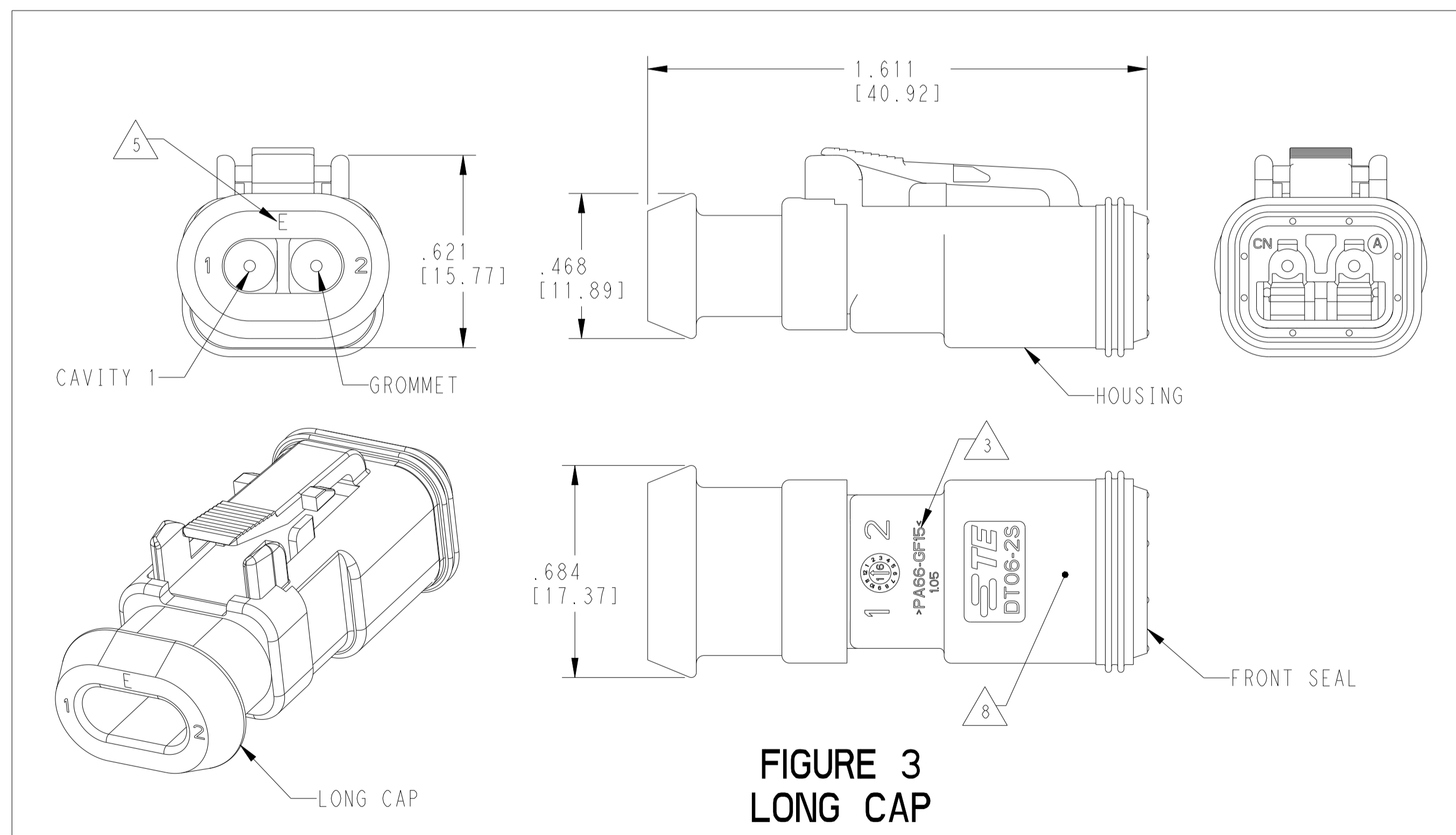


FIGURE 3 LONG CAP

TE INTERNAL PART NUMBER	DEUTSCH PART NUMBER	PN REV	HOUSING COLOR	STANDARD SEAL GROMMET	EXTRA THIN SEAL E-SEAL GROMMET	BLOCKED SEAL	SHORT CAP	LONG CAP	FIGURE
DT06-2S	DT06-2S	A	GREY	X					1
DT06-2S-C015	DT06-2S-C015	F	GREY		X				1
DT06-2S-C017	DT06-2S-C017	B	GREY			X	X		2
DT06-2S-CE01	DT06-2S-CE01	E	GREY		X		X		2
DT06-2S-CE03	DT06-2S-CE03	B	BLACK		X		X	X	3
DT06-2S-CE04	DT06-2S-CE04	C	GREY		X		X		2
DT06-2S-CE05	DT06-2S-CE05	B	BLACK		X		X		2
DT06-2S-CE06	DT06-2S-CE06	B	BLACK		X				1
DT06-2S-CE13	DT06-2S-CE13	B	BLACK		X			X	3
DT06-2S-E003	DT06-2S-E003	B	GREY	X			X		2
DT06-2S-E004	DT06-2S-E004	A	BLACK	X					1
DT06-2S-E005	DT06-2S-E005	A	BLACK	X			X		2
DT06-2S-E008	DT06-2S-E008	B	GREY	X				X	3
DT06-2S-EP04	DT06-2S-EP04	C	GREY	X			X		2
DT06-2S-EP06	DT06-2S-EP06	B	BLACK	X			X		2
DT06-2S-EP11	DT06-2S-EP11	A	BLACK	X				X	3
DT06-2S-P004	DT06-2S-P004	A	GREY	X					1
DT06-2S-P012	DT06-2S-P012	A	BLACK	X					1
1-2448100-1	DT06-2S-TE09	A	BROWN		X				1
1-2448100-2	DT06-2S-TE03	A	GREEN		X				1
1-2448100-3	DT06-2S-TE07	A	BLUE		X				1
2-2448100-1	DT06-2S-TN09	A	BROWN	X					1
2-2448100-2	DT06-2S-TN03	A	GREEN	X					1
2-2448100-3	DT06-2S-TN07	A	BLUE	X					1
3-2448100-1	DT06-2S-EE18	A	BROWN		X		X		2
3-2448100-2	DT06-2S-EE16	A	GREEN		X		X		2
3-2448100-3	DT06-2S-EE17	A	BLUE		X		X		2
4-2448100-1	DT06-2S-EE14	A	BROWN	X			X		2
4-2448100-2	DT06-2S-EE13	A	GREEN	X			X		2
4-2448100-3	DT06-2S-EE06	A	BLUE	X			X		2

- 3 MATERIAL: HOUSING: PA66 GF15, SEE TABLE FOR COLOR
SHORT, LONG CAP: PA66 GF15, BLACK
GROMMET: E-SEAL VMQ (BURNT RED)
N-SEAL VMQ (RED-ORANGE)
FRONT SEAL: VMQ (RED-ORANGE),
- 2. THIS PLUG MATES WITH DT04-2P-XXXX RECEPTACLE.
(XXXX = ALL MODIFICATIONS)
- 1. SECONDARY WEDGE LOCK SOLD SEPARATELY: W2SX-XXXX.
(X = A,B,C,D KEY, XXXX = ALL MODIFICATIONS)
W2S OR W2S-P012 MAY BE USED WITH THESE PLUGS,
W2S-P012 IS RECOMMENDED.

- 7 XXXX IDENTIFIES THE MODIFICATION NUMBER, IF APPLICABLE. EXAMPLE: "E003" FOR DT06-2S-E003, OR BLANK FOR DT06-2S.
- 6. FOR CONTACTS AND WIRE PERFORMANCE AND APPLICATION CHARACTERISTICS SEE CUSTOMER DRAWING 0425-015-0000.
- 5 "E" IDENTIFIES E-SEAL.
- 4 DATE CODE: IDENTIFIES THE YEAR, MONTH, DAY AND HOUR OF ASSEMBLY.
YEAR: FIRST AND SECOND DIGITS. (17 = 2017)
MONTH: THIRD DIGIT, EXCLUDING I, A = JAN, B = FEB, C = MARCH ... (K = OCTOBER)
DAY: FOURTH AND FIFTH DIGITS (14 = 14th DAY)
HOUR: SIXTH AND SEVENTH DIGITS (11 = 11AM)

- 9 ALTERNATE CONSTRUCTION EXCLUSIVELY FOR PARTS PRODUCED IN CHINA.
- 8 ADDITIONAL MARKING PER NOTE 4 AND 7 EXCLUSIVELY FOR PARTS WITH CAPS PRODUCED IN CHINA.

THIS DRAWING IS A CONTROLLED DOCUMENT. DWN: JAIME C. APOSTOL 24OCT2016
CHK: D. MEYER 24OCT2016
APVD: D. MEYER 24OCT2016

TE Connectivity

2 WAY PLUG, STANDARD SEAL
EXTRA THIN SEAL SHORT CAP AND
LONG CAP, DT SERIES

SIZE: A1 CAGE CODE: 4AFU8 DRAWING NO: DT06-2S-XXXX
RESTRICTED TO: -

CUSTOMER DRAWING SCALE: 3:1 SHEET 1 OF 1 REV: D1