

30-221-12 ✓ ACTIVE

KISSLING | KISSLING Series 30

TE Internal #: K1136381

General Purpose Power Relay, Bistable, 2 Coils, Polarized, .089 W
Coil, 4.1 – 6.4 ohm Coil Resistance, KISSLING Series 30, Power
Relays

[View on TE.com >](#)



Relays & Contactors > Relays > Power Relays > Power Relay, 200A, Standard, Bistable, 2 Coils, Polarized



Relay Type: **General Purpose Power Relay**

Coil Magnetic System: **Bistable, 2 Coils, Polarized**

Coil Power Rating DC: **.089 W**

Coil Resistance: **4.1 – 6.4 Ω**

Coil Special Features: **Coil Suppression Diode**

[All Power Relay, 200A, Standard, Bistable, 2 Coils, Polarized \(8\)](#)

Features

Product Type Features

Relay Type	General Purpose Power Relay
------------	-----------------------------

Configuration Features

Coil Special Features	Coil Suppression Diode
Contact Arrangement	1 Form C SPDT-CO
Contact Number of Poles	1

Electrical Characteristics

Coil Power Rating DC	.089 W
Coil Resistance	4.1 – 6.4 Ω
Coil Voltage Rating	18 VDC, 32 VDC
Contact Current Rating	200 A
Contact Voltage Rating	24 VDC

Contact Features

Contact Material	Silver Alloy
------------------	--------------

Termination Features

Relay Connection Type	Terminals
-----------------------	-----------



Terminal Configuration

Screw Terminals

Mechanical Attachment

Product Mounting Feature Type

Mounting Brackets

Product Mount Type

Chassis

Dimensions

Product Width

62 mm[2.44 in]

Product Length

132 mm[5.19 in]

Product Height

55.5 mm[2.18 in]

Operation/Application

Coil Magnetic System

Bistable, 2 Coils, Polarized

Packaging Features

Packaging Method

Carton

Other

Contact Current Class

200 A

Product Compliance

[For compliance documentation, visit the product page on TE.com>](#)

EU RoHS Directive 2011/65/EU

Not Yet Reviewed

EU ELV Directive 2000/53/EC

Not Yet Reviewed

China RoHS 2 Directive MIIT Order No 32, 2016

Not reviewed for China RoHS compliance

EU REACH Regulation (EC) No. 1907/2006

Current ECHA Candidate List: JUNE 2024
(241)

Not Yet Reviewed

Halogen Content

Not Yet Reviewed for halogen content

Solder Process Capability

Not reviewed for solder process capability

Product Compliance Disclaimer

This information is provided based on reasonable inquiry of our suppliers and represents our current actual knowledge based on the information they provided. This information is subject to change. The part numbers that TE has identified as EU RoHS compliant have a maximum concentration of 0.1% by weight in homogenous materials for lead, hexavalent chromium, mercury, PBB, PBDE, DBP, BBP, DEHP, DIBP, and 0.01% for cadmium, or qualify for an exemption to these limits as defined in the Annexes of Directive 2011/65/EU (RoHS2). Finished electrical and electronic equipment products will be CE marked as required by Directive 2011/65/EU. Components may not be CE marked. Additionally, the part numbers that TE has identified as EU ELV compliant have a maximum concentration of 0.1% by weight in homogenous materials for lead, hexavalent chromium, and mercury, and 0.01% for cadmium, or qualify for an exemption to these limits as defined in the Annexes of Directive 2000/53/EC (ELV). Regarding the REACH Regulations, TE's information on SVHC in articles for this part number is still based on the European Chemical Agency (ECHA) 'Guidance on requirements for substances in articles' (Version: 2, April 2011), applying the 0.1% weight on weight concentration threshold at the finished product level. TE is aware of the European Court of Justice ruling of September 10th, 2015 also known as O5A (Once An Article Always An Article) stating that, in case of 'complex object', the threshold for a SVHC must be applied to both the

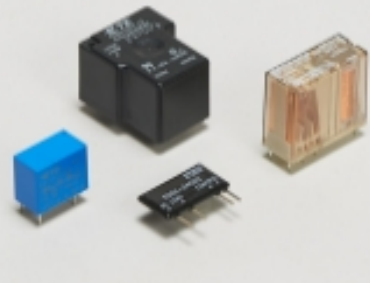
product as a whole and simultaneously to each of the articles forming part of its composition. TE has evaluated this ruling based on the new ECHA "Guidance on requirements for substances in articles" (June 2017, version 4.0) and will be updating its statements accordingly.

Compatible Parts



TE Part # CAT-AL6-KSPR30200
Power Relay, 200A, Standard, Bistable, 2 Coils, Polarized

Also in the Series | KISSLING Series 30



Power Relays(37)

Customers Also Bought



TE Part #DT04-2P
REC, 2P, GRY, N



TE Part #DT06-2S
PLG, 2P, GRY, N



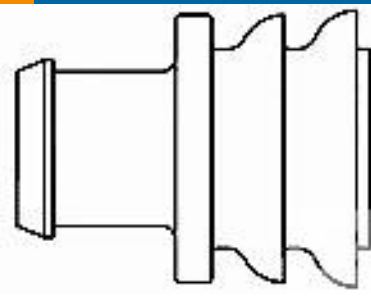
TE Part #W2S
Wedgelocks: DEUTSCH DT



TE Part #0460-202-16141
DEUTSCH Solid Contacts



TE Part #282104-1
AMP SUPERSEAL 1.5MM, CONNECTOR HOUSING



TE Part #281934-2
SINGLE WIRE SEAL



TE Part #114017-ZZ
SEALING PLUG, SIZE 12/16, WHT

Documents

[Product Drawings](#)



Relay 30-221-12

German

CAD Files

3D PDF

3D

Customer View Model

[ENG_CVM_CVM_30-221-12_A.2d_dxf.zip](#)

English

Customer View Model

[ENG_CVM_CVM_30-221-12_A.3d_igs.zip](#)

English

Customer View Model

[ENG_CVM_CVM_30-221-12_A.3d_stp.zip](#)

English

By downloading the CAD file I accept and agree to the [Terms and Conditions](#) of use.

Datasheets & Catalog Pages

[KISSLING SINGLE POLE BI-STABLE RELAYS Series 30 / 200A](#)

English